

S5-5-G8-62-SG-ST2/ST4
S5-5-F8-92-SG-ST2/ST4
SL5-5-G-82-SG-ST4
SL5-5-F-92-SG-ST4



INSTRUCTION MANUAL

INSTRUCTIONS FOR USE



The emitter/receiver safety sensors are homologated only to be connected to the SG-BWS-T4 safety control units.

Different use is potentially dangerous and not allowed, please take care to follow the instructions of manual Series SG-BWS-T4.

For the connection modalities, please refer to the SG-BWS-T4 instruction manual.

CONTROLS

S5...SG-ST2/ST4

OUTPUT LED (receiver)

The red LED indicates the output status.

STABILITY LED (receiver)

The green LED ON indicates that the received signal has a safety margin greater than 30% compared to the output switching value.

POWER ON LED (emitter)

The green LED indicates that the sensor is operating.

SL5...SG-ST4

OUTPUT LED (receiver)

The yellow LED indicates the output status.

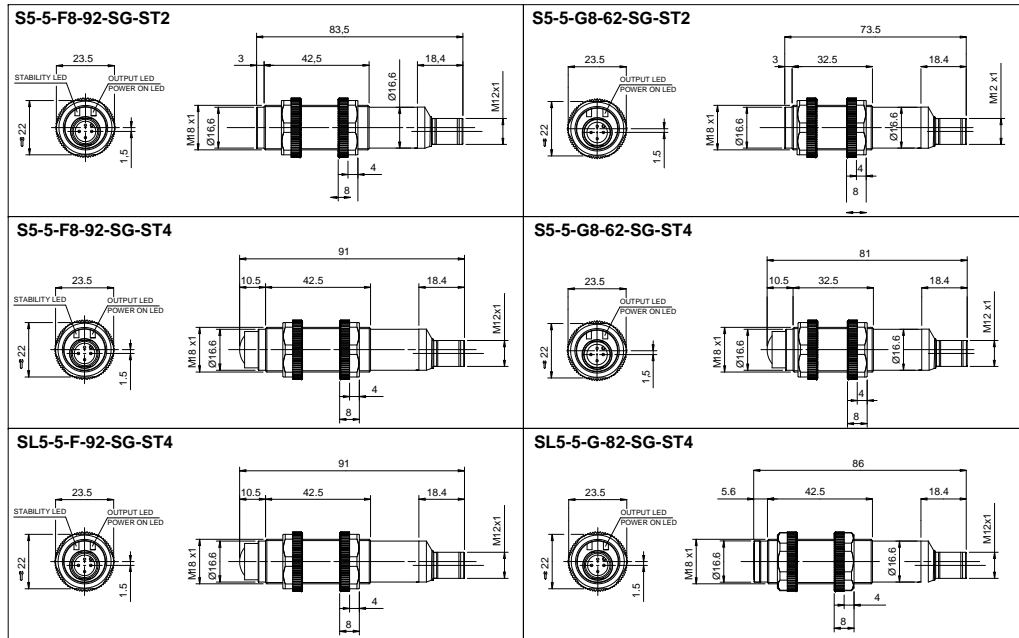
STABILITY LED (receiver)

The green LED ON indicates that the received signal has a safety margin greater than 30% compared to the output switching value.

POWER ON LED (emitter)

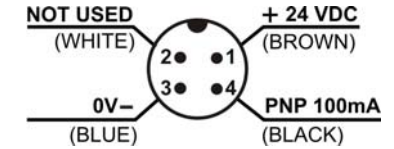
The green LED indicates that the sensor is operating.

DIMENSIONS

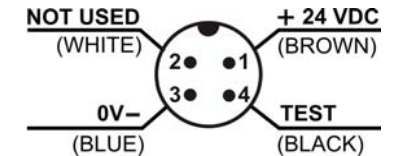


CONNECTIONS

RECEIVER



EMITTER



TECHNICAL DATA

	SL5...SG-ST4	S5...SG-ST2/ST4
Power supply:	24 VDC ±15%	
Current consumption (output current excluded):	35 mA max.	30 mA max.
Outputs:	PNP (short-circuit protection)	
Output current:	100 mA max.	
Output saturation voltage:	2 V max.	
Output leakage:	50 µA a 30 VDC	
Response time:	1 ms max.	
Switching frequency:	500 Hz max.	
Operating temperature:	-10 ... 50 °C	-25 ... 55 °C
Storage temperature:	-25 ... 70 °C	
Dielectric strength:	500 Vac / 1 min. between electronic parts and housing	
Insulation resistance:	>20 MΩ / 500 Vdc, between electronic parts and housing	
Operating distance (minimum):	0 ... 40 m	0...8 m
Emission type:	Red laser (650 nm) Class 1 EN 60825-1 (1994)	Infrared LED 880 nm
EAA:	xx...ST2 = ± 5° / xx...ST4 = ± 2.5°	
Ambient light rejection:	according to EN 60947-5-2	
Vibration:	0.5 mm amplitude, 10 ... 55 Hz frequency, for every axis (EN60068-2-6)	
Shock resistance:	11 ms (30 G) 6 shock for every axis (EN60068-2-27)	
Housing:	ABS UL 94V-O	
Connector/Gland:	Polycarbonate	
Lenses:	PMMA plastic	
Protection class:	IP67	
Connections:	M12 4-pole connector	
Weight:	30 g. max.	

DECLARATION OF CONFORMITY

We DATALOGIC AUTOMATION declare under our sole responsibility that these products are conform to the 2004/108/CE and successive amendments.



WARRANTY

DATALOGIC AUTOMATION warrants its products to be free from defects.

DATALOGIC AUTOMATION will repair or replace, free of charge, any product found to be defective during the warranty period of 36 months from the manufacturing date.

This warranty does not cover damage or liability deriving from the improper application of DATALOGIC AUTOMATION products.

DATALOGIC AUTOMATION

Via S. Vitalino 13
 40012 Calderara di Reno
 Bologna - Italy
 Tel: +39 051 3147011
 Fax: +39 051 3147453

Operations Office

Via Lavino 265
 40050 Monte S. Pietro
 Bologna - Italy
 Tel: +39 051 6765611
 Fax: +39 051 6759324

www.automation.datalogic.com e-mail: info.automation@datalogic.com

DATALOGIC AUTOMATION cares for the environment: 100% recycled paper. DATALOGIC AUTOMATION reserves the right to make modifications and improvements without prior notification.

Datalogic and the Datalogic logo are registered trademarks of Datalogic S.p.A. in many countries, including the U.S.A. and the E.U.

826004500 Rev.00

© Copyright Datalogic 2009