



SR31 SERIES INSTRUCTION MANUAL

MODELS SELECTION TABLE

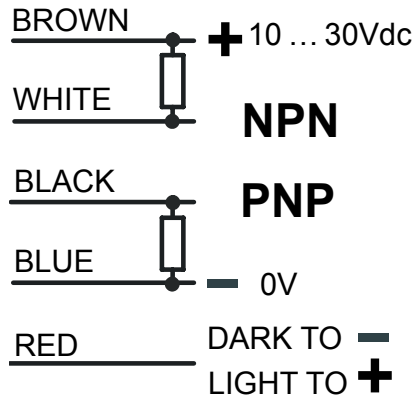
TYPE	CONNECTION	OUTPUT
SR31	cable	NPN and PNP
SR31-0	M8 connector	NPN
SR31-1	M8 connector	PNP

TECHNICAL DATA

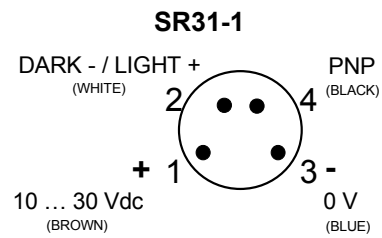
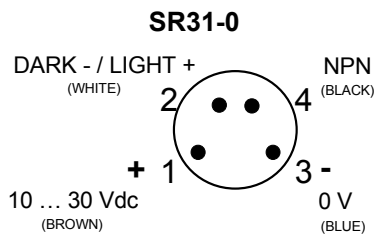
Power supply:	10 ... 30 Vdc (reverse polarity protection)
Ripple:	2 Vpp max.
Current consumption:	50 mA max.
Output:	NPN or PNP (connectore vers.) NPN and PNP (cable vers.)
Load current:	200 mA max.
Saturation voltage:	0.8 V max. (NPN output) 2 V max. (PNP output)
Response time:	50 µs max.
Switching frequency:	10 KHz max. (dark/light ratio1:1)
Indicators:	RED output LED
Setting:	multi-turn sensitivity trimmer
Operating temperature:	-10 ... +60 °C
Storage temperature:	-20 ... +70 °C
Humidity:	35 ... 85% RH (non condensing)
Emission type:	Infrared LED 880nm

Ambient light rejection:	EN 60947-5-2
Vibration:	amplitude 0.5 mm, 10 ... 55 Hz frequency, for every axis (EN60068-2-6)
Shock resistance:	11 ms (30 G) 6 shock for every axis (EN60068-2-27)
LIGHT/DARK selection:	Standard (by red wire)
Slot width:	30 mm
Material width:	25 mm max.
Detection width:	2 mm min.
Housing:	ZAMA
Lenses:	Glass
Protection class:	IP60
Connections:	2m cable Ø 5 mm; 4-pole M8 connector
Dimensions:	70x50x13.5 mm
Weight:	100 g.

SR31 WIRING CONNECTIONS



M8 CONNECTOR



DECLARATION OF CONFORMITY

We DATASENSOR S.p.A. declare under our sole responsibility that these products are conform to the 2004/108 CEE, 73/23 CEE Directives and successive amendments.

WARRANTY

DATASENSOR S.p.A. warrants its products to be free from defects. DATASENSOR S.p.A. will repair or replace, free of charge, any product found to be defective during the warranty period of 36 months from the manufacturing date. This warranty does not cover damage or liability deriving from the improper application of DATASENSOR products.

DATASENSOR S.p.A. Via Lavino 265
 40050 Monte S. Pietro - Bologna - Italy
 Tel: +39 051 6765611 Fax: +39 051 6759324
<http://www.datasensor.com> e-mail: info@datasensor.com



DATASENSOR S.p.A. cares for the environment: 100% recycled paper.

DATASENSOR S.p.A. reserves the right to make modifications and improvements without prior notification.

826110004 Rev.E