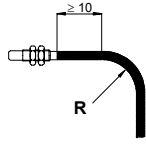


OF SERIES INSTRUCTION MANUAL

INSTALLATION



Don't bend the fibre-optics below the specified minimum bending radius (R).
Coaxial fibres: insert the central fibre into the emitter hole and the peripheral fibres into the receiver hole.

Use the AF5 adapter to connect thin fibre-optics $\varnothing 1$ mm.
Use the AF11 cutting tool to cut the fibres to the desired length.
Cutting fibres may reduce the operating range.
Always use cutting tools with the blade in perfect conditions.

Fibres models Efficiency

OF-xx-HT	70%
OF-xx-XF	90%
OF-xx-UF	90%
OF-xx-HP	125%
OF-xx-CL	65%
OF-xx-TN	35%

Normalized operating range relative to $\varnothing 2.2$ mm fibres (OF-xx-ST).

Maximum torque

M3 nut	M4 nut	M6 nut
0.6 N·m	0.8 N·m	1.0 N·m

Materials

Optical fibres	Sheath	Tips
PMMA	PE	Nickel-plated brass



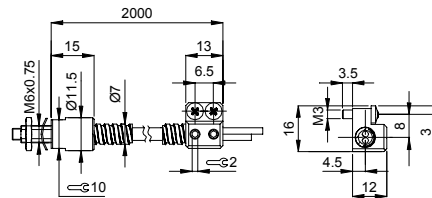
Never apply excessive mechanical stresses to the fibres.
Never use organic solvents.

TECHNICAL DATA

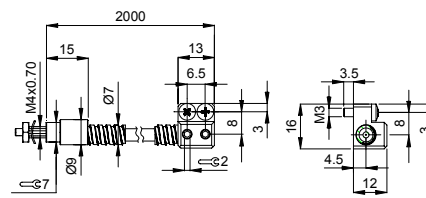
Model	Function	Length (m)	\varnothing Sheath (mm)	\varnothing Fibres (mm)	Bendable sleeve	Tips	Temp. (°C)	R (> mm)	Accessories
OF-18ST-10	Proximity	1	2.2	1	-	M6 x 1	-30 ... 60	25	-
OF-19ST-10	E/R	1	2.2	1	-	M4 x 0.7	-30 ... 60	25	-
OF-20CL-20	Proximity	2	2.2	1	-	M6 x 1	-30 ... 60	25	-
OF-21CL-20	E/R	2	2.2	1	-	M4 x 0.7	-30 ... 60	25	-
OF-22ST-20	Proximity	2	2.2	1	90 mm $\varnothing 2.5$	M6 x 1	-30 ... 60	25	-
OF-23ST-20	E/R	2	2.2	1	90 mm $\varnothing 1.3$	M4 x 0.7	-30 ... 60	25	-
OF-24ST-20	Proximity	2	2.2	1	-	M4 x 0.7	-30 ... 60	25	-
OF-25TN-10	E/R	1	1	0.5	-	M2 x 0.4	-30 ... 60	10	AF5
OF-26TN-10	Proximity	1	1	0.5	-	M3 x 0.5	-30 ... 60	10	AF5
OF-28TN-10	Proximity	1	1	0.5	90 mm $\varnothing 1.3$	M3 x 0.5	-30 ... 60	10	AF5
OF-36ST-20	Coaxial prox.	2	2.2	1 x $\varnothing 1$	-	M6 x 1	-30 ... 60	25	-
OF-36XF-20				16 x $\varnothing 0.25$					
OF-38ST-20	Proximity	2	2.2	1	-	15 mm $\varnothing 2.5$	-30 ... 60	25	-
OF-42ST-20	Proximity	2	2.2	1	-	M6 x 0.75	-30 ... 60	25	AF7
OF-42HT-20				1			-30 ... 125	25	
OF-42UF-20				1			-30 ... 60	2	
OF-42HP-20				1.5			-30 ... 60	25	
OF-43ST-20	E/R	2	2.2	1	-	M4 x 0.7	-30 ... 60	25	AF1
OF-43HT-20				1			-30 ... 125	25	
OF-43UF-20				1			-30 ... 60	2	
OF-43HP-20				1.5			-30 ... 60	25	
OF-44ST-20	Coaxial prox.	2	2.2	1 x $\varnothing 1$	-	M4 x 0.7	-30 ... 60	25	AF3
OF-44XF-20				16 x $\varnothing 0.25$			5	AF4	

ACCESSORY DIMENSIONS

AF7

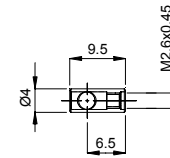


AF9



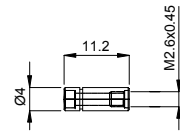
Protective metal sheath.
Length: 2m, sheath: steel stainless, tips: aluminium

AF1



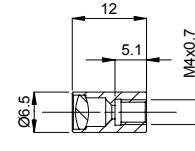
Radial mirror

AF2



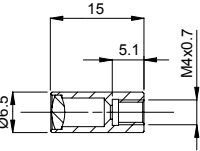
Long distance lens

AF3



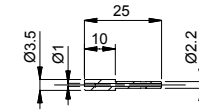
High resolution lens
Spot size $\varnothing 4$ mm to 19 mm

AF4



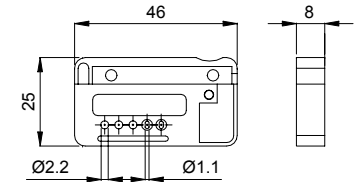
High resolution lens
Spot size $\varnothing 4$ mm to 7 mm

AF5



Thin fibres adapter (from $\varnothing 1$ mm to $\varnothing 2.2$ mm)

AF11



Cutting tool for $\varnothing 2.2$ mm and $\varnothing 1$ mm fibres

WARRANTY

DATASENSOR S.p.A. warrants its products to be free from defects. DATASENSOR S.p.A. will repair or replace, free of charge, any product found to be defective during the warranty period of 36 months from the manufacturing date. This warranty does not cover damage or liability deriving from the improper application of DATASENSOR products.

DATASENSOR S.p.A. Via Lavino 265
40050 Monte S. Pietro - Bologna - Italy
Tel: +39 051 6765611 Fax: +39 051 6759324
<http://www.datasensor.com> e-mail: info@datasensor.com



DATASENSOR S.p.A. cares for the environment: 100% recycled paper.
DATASENSOR S.p.A. reserves the right to make modifications and improvements without prior notification.

OF40 INSTRUCTION MANUAL

The fibre-optic OF40 is an accessory for DATASENSOR LD series U.V. readers.

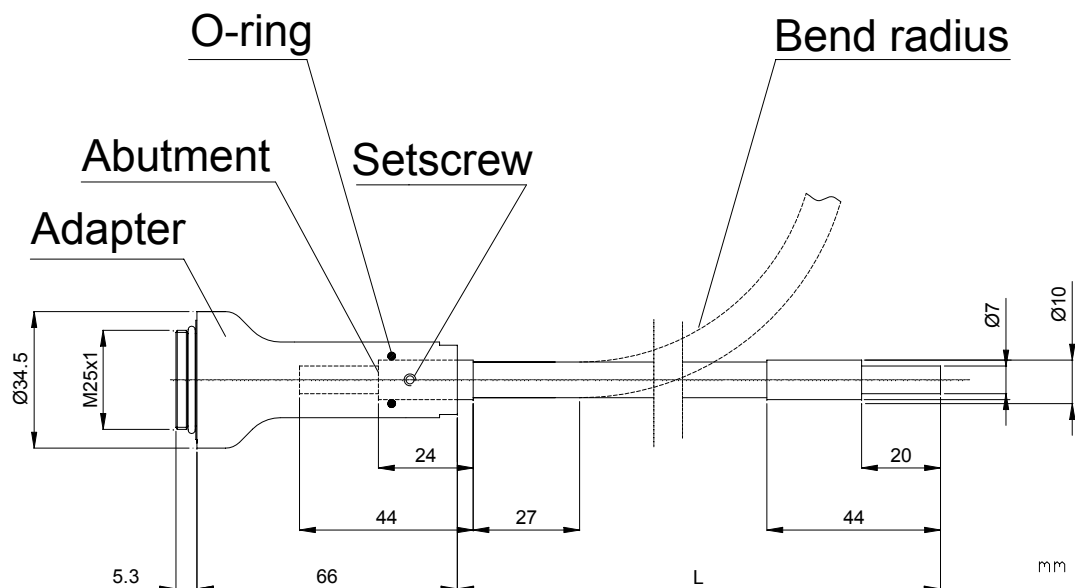
INSTALLATION

To install the OF40 proceed as follows:

- Disconnect the power supply of the sensor.
- Replace the sensor lens with the fibre adapter.
- Insert the fibre-optic into the adapter; the first insertion resistance is due to the O-ring seal; please continue to insert the fibre until it reaches the mechanical stop.
- Fix the fibre-optic to the adapter using the setscrew wrench included in the package.

The fibre is made of a liquid solution enclosed in a plastic covering; for a correct functioning of the fibre the bend radius must be greater than 60mm; don't twist or stretch the fibre.

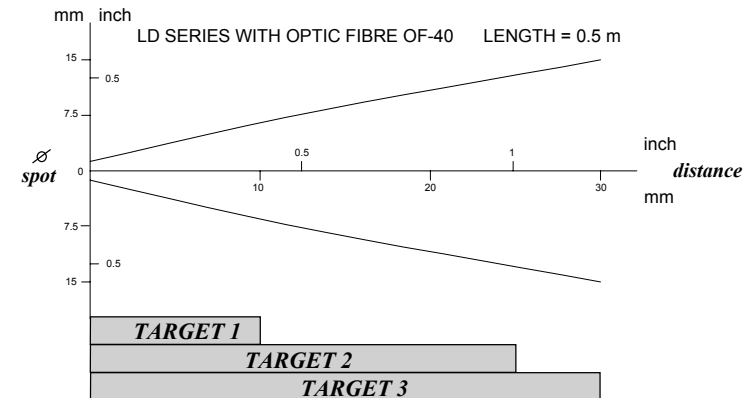
DIMENSIONS



TECHNICAL DATA

Operating temperature (fibre end fittings):	-5 ... +60 °C
Operating temperature (fibre body):	-5 ... +35 °C
Storage temperature:	-5 ... +60 °C
Covering material:	Plastic
End fittings material:	Brass Chrome plated
Bend radius:	Minimum 60 mm
Protection class:	IP64
Weight:	110 g.

READING DIAGRAM



WARRANTY

DATASENSOR S.p.A. warrants its products to be free from defects. DATASENSOR S.p.A. will repair or replace, free of charge, any product found to be defective during the warranty period of 36 months from the manufacturing date. This warranty does not cover damage or liability deriving from the improper application of DATASENSOR products.

DATASENSOR S.p.A. Via Lavino 265
40050 Monte S. Pietro - Bologna - Italy
Tel: +39 051 6765611 Fax: +39 051 6759324
<http://www.datasensor.com> e-mail: info@datasensor.com



DATASENSOR S.p.A. cares for the environment: 100% recycled paper. DATASENSOR S.p.A. reserves the right to make modifications and improvements without prior notification.

OF50 INSTRUCTION MANUAL

The OF50 fibre-optic is an accessory for the LD μ luminescence detector series.

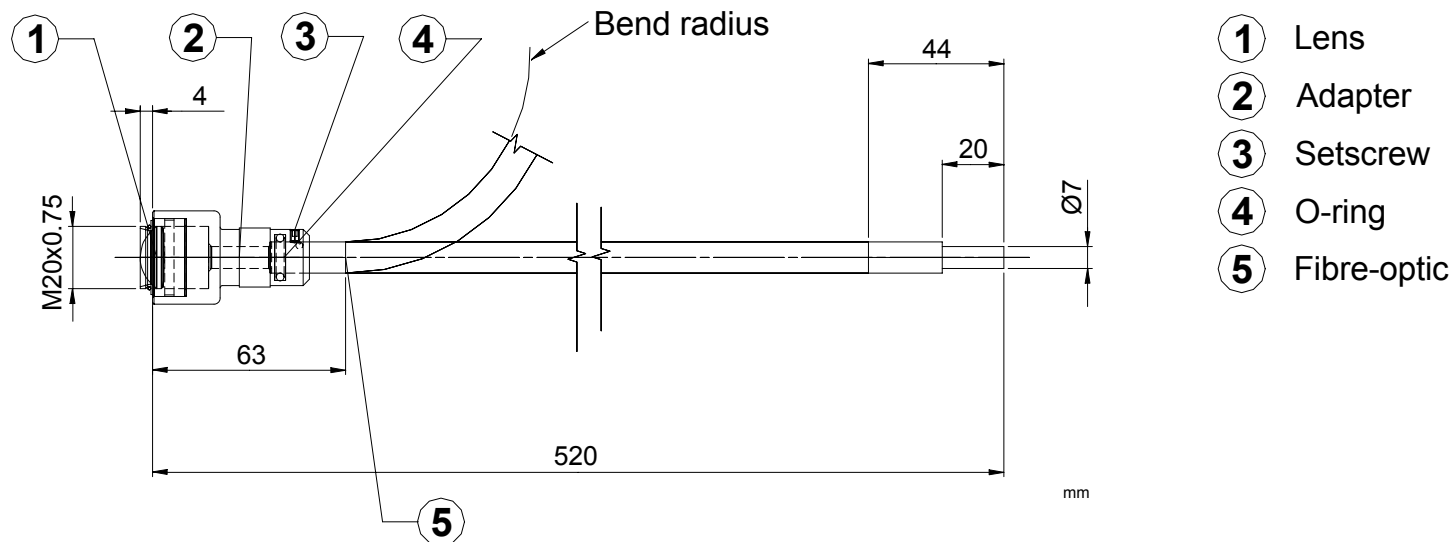
INSTALLATION

To install the OF50 proceed as follows:

- Disconnect the power supply of the sensor.
- Replace the sensor lens with the fibre adapter.
- Insert the fibre-optic into the adapter; the first insertion resistance is due to the O-ring seal; please continue to insert the fibre until it reaches the mechanical stop.
- Fix the fibre-optic to the adapter using the setscrew wrench included in the package.

The fibre is made of a liquid solution enclosed in a plastic covering; for a correct functioning of the fibre the bend radius must be greater than 60mm; don't twist or stretch the fibre.

DIMENSIONS

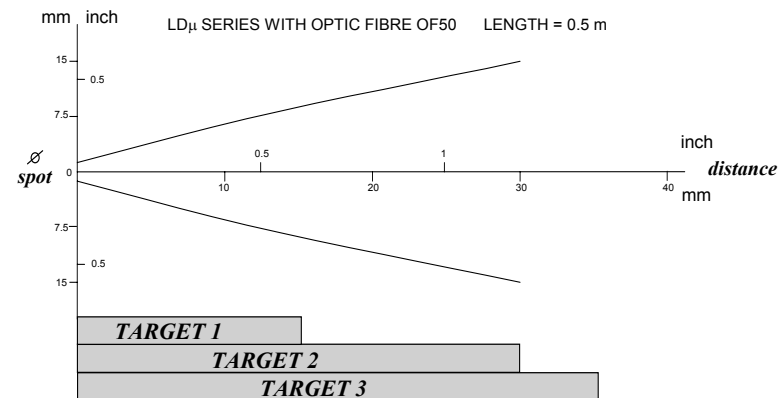


- ① Lens
- ② Adapter
- ③ Setscrew
- ④ O-ring
- ⑤ Fibre-optic

TECHNICAL DATA

Operating and storage temperature:	-5 ... +60°C
Covering material:	Plastic
Tip material:	Brass Chrome plated
Adapter material:	Aluminium anodized
Bend radius:	Minimum 60mm
Protection class:	IP64
Weight:	100 g.

READING DIAGRAM



WARRANTY

DATASENSOR S.p.A. warrants its products to be free from defects. DATASENSOR S.p.A. will repair or replace, free of charge, any product found to be defective during the warranty period of 36 months from the manufacturing date. This warranty does not cover damage or liability deriving from the improper application of DATASENSOR products.

DATASENSOR S.p.A. Via Lavino 265
40050 Monte S. Pietro - Bologna - Italy
Tel: +39 051 6765611 Fax: +39 051 6759324
<http://www.datasensor.com> e-mail: info@datasensor.com



DATASENSOR S.p.A. cares for the environment: 100% recycled paper. DATASENSOR S.p.A. reserves the right to make modifications and improvements without prior notification.