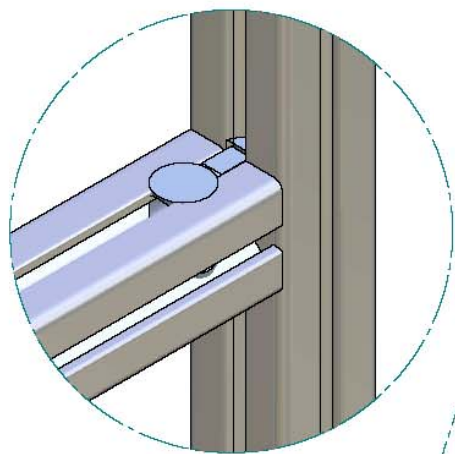
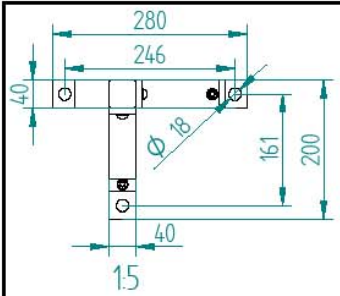
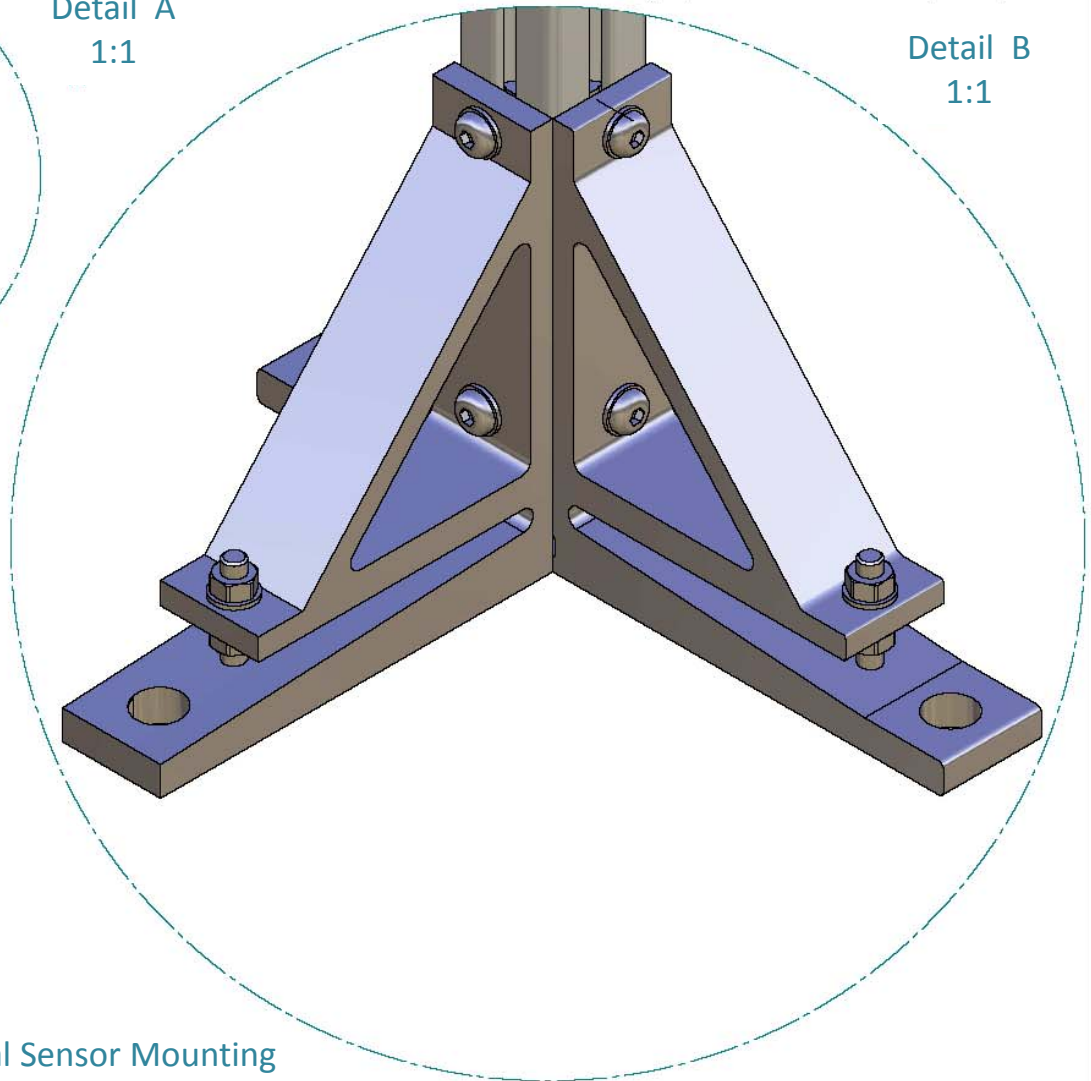


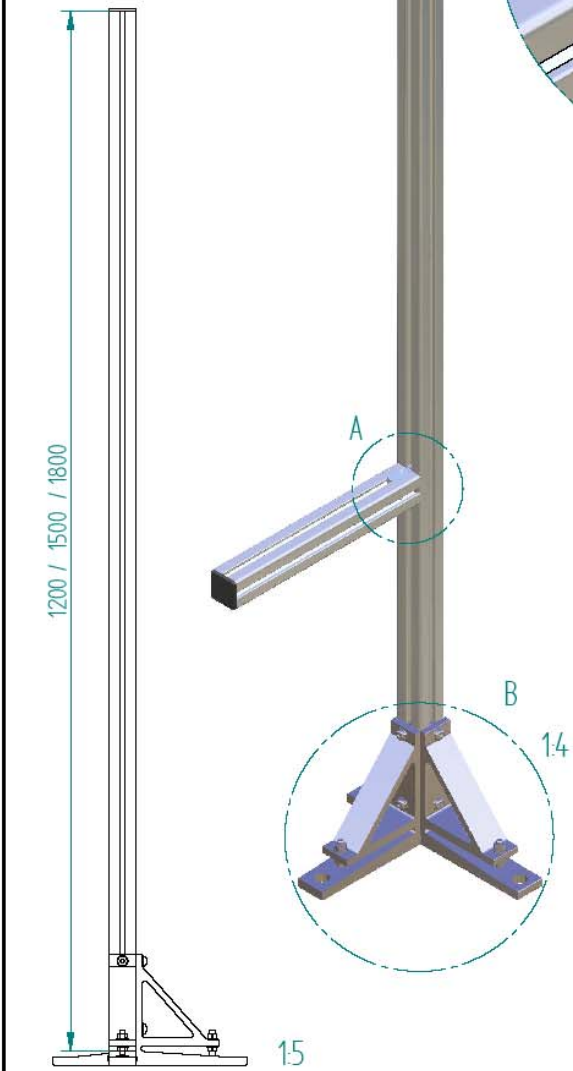
REVISION HISTORY			
REV	DESCRIPTION	DATE	APPROVED



Detail A  
1:1



Detail B  
1:1



Detail A Optional Sensor Mounting  
Arm



DRAWN	NAME	DATE	DATASENSOR	
CHECKED	simon	05/26/09	The Data Sensor Group	
ENG APPR			TITLE	
MGR APPR			Dataseensor - Stand	
UNLESS OTHERWISE SPECIFIED DIMENSIONS ARE IN MILLIMETRES CUT LENGTHS ±0.2mm plus ±0.1mm/m POSITIONAL ACCURACY ±1mm			SIZE	REV
			A2	DWG NO
			91659	91659.dft
			SCALE:	WEIGHT:
			SHEET 1 OF 1	